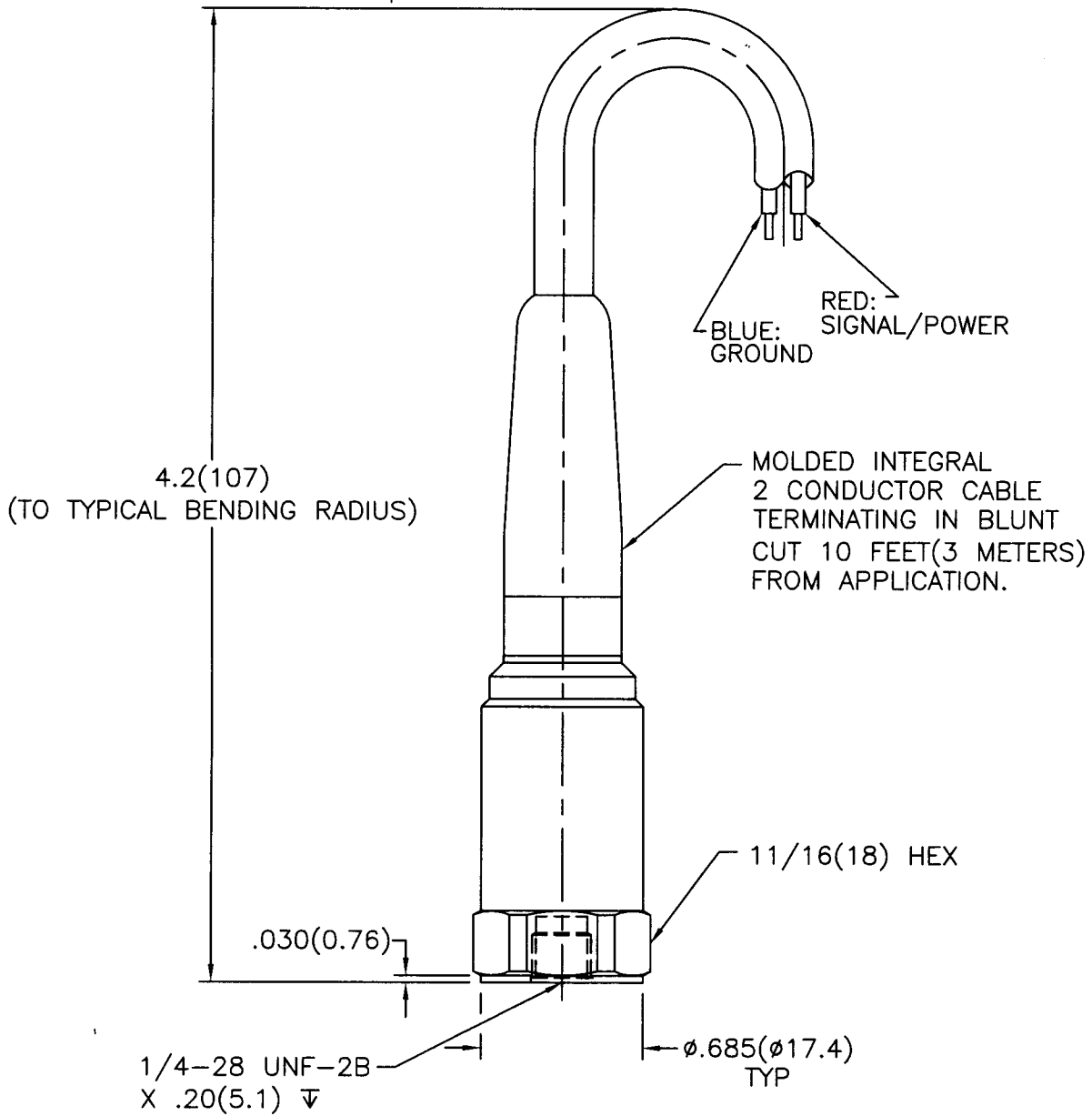


7790

PCB Piezotronics Inc. claims proprietary rights in the information disclosed hereon. Neither it nor any reproduction thereof will be disclosed to others without written consent of PCB Piezotronics Inc.

APPLICATION		
NEXT ASS'Y	USED ON	VAR

REVISIONS				
REV	DESCRIPTION	ECN	DATE	APP'D
B	REVISED PER ECN	9995	1/28/99	DM 2/99
C	UPDATE FOR UNIFORMITY	13113	2/21/01	DM 3/01



UNLESS SPECIFIED TOLERANCES		DRAWN				MFG		PCB PIEZOTRONICS™	
DIMENSIONS IN INCHES	DIMENSIONS IN MILLIMETERS (IN PARENTHESIS)	MWS	3.12.01					3425 WALDEN AVE. DEPEW, NY 14043	CODE IDENT. NO. 52681 DWG. NO. 7790 SCALE: 1.33X SHEET 1 OF 1
DECIMALS XX ±.01	DECIMALS XX ±0.3	CHK'D	om	3/16/01	ENGR	U.F	3/19/01	(716) 684-0001 EMAIL: SALES@PCB.COM	
XXX ±.005	XXX ±0.13	APP'D	mo	3/22/01	SALES	EGY	3/23/01		
ANGLES ±2 DEGREES	ANGLES ±2 DEGREES	TITLE				OUTLINE DRAWING			
FILLETS AND RADII .003 - .005	FILLETS AND RADII (0.07 - 0.13)	MODELS 623C10, M, 623C11, M				ACCELEROMETER			
DD011 REV. B 03/13/98									